

BMS *THE BEAST* **1000**

ASSEMBLY INSTRUCTIONS



BEAST1000 Assembly Instructions

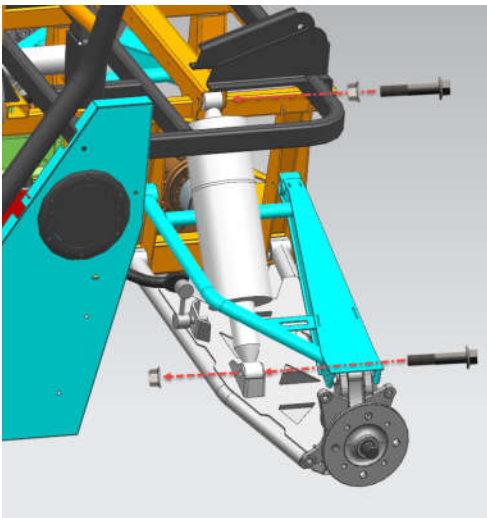
Select a clear flat working area to lay out all the parts and components supplied. It is recommended that two people should be available when assembling the Vehicle to assist with forklift operations.

Step by step:

1. Unpacking

You will first need to disassemble the crate that has protected your Vehicle. First you will need to take off all of the cardboard that your Vehicle was wrapped in. Then you will need to remove the bolts that keeps your Vehicle from moving around and get damaged. Once you have taken the bolts out, please have two peoples to lift the crate out.

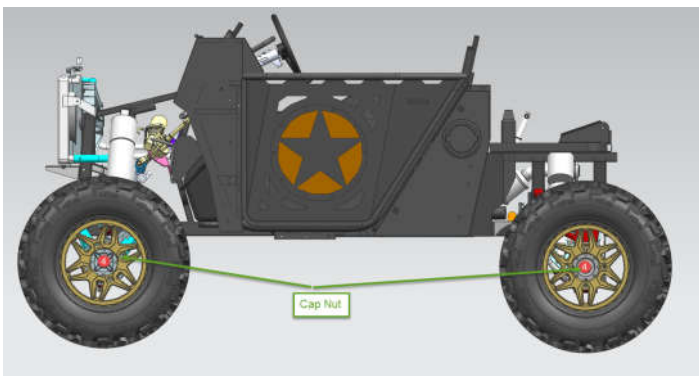
2. Put the rear shock absorber on



Parts List:

Rear Shock Absorber	2	pics
M12*65 Bolts	2	pics
M12 Nuts	2	pics

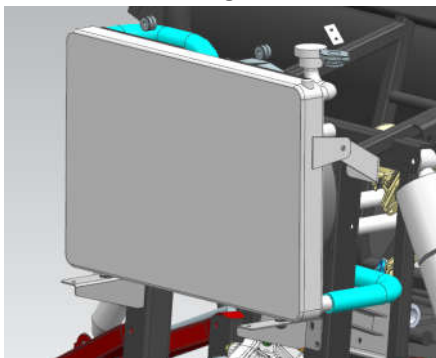
3. Putting 4 Tires On



Parts List:

Front Tire 29*9-14	2	pics
Rear Tire 29*11-14	2	pics
Cap Nuts	16	pics

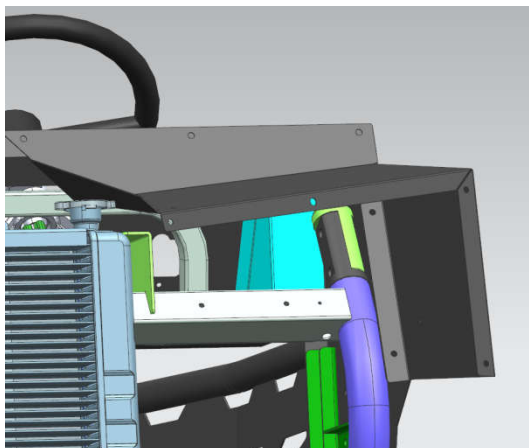
4. Radiator Mounting Bracket Assembly



Parts List:

Bracket	2	pics
M8*20 Bolt	2	pics
Flange Nuts	2	pics

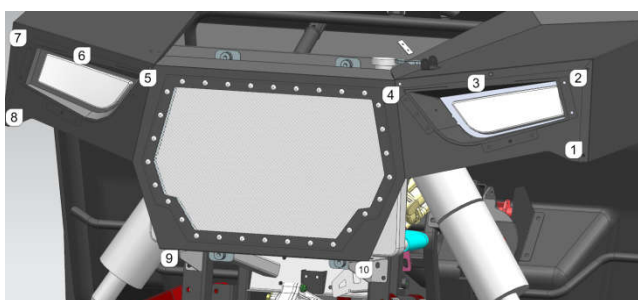
5. Front Hood Left&Right Panel Assembly



Parts List:

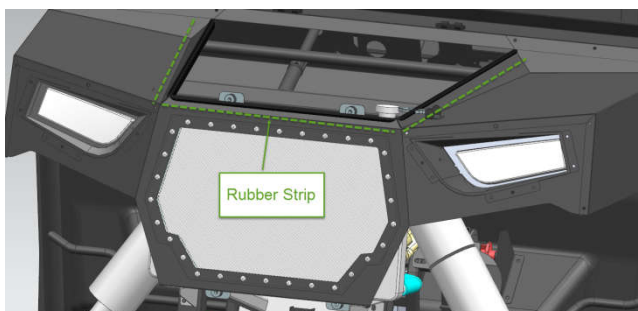
Front Hood Panel Left	1	pics
Front Hood Panel Right	1	pics
M6*12 Inside Hexagon Pan Head Bolt	6	pics
M6*12 Flange Bolt	4	pics
M6 Flange Nuts	4	pics

6. Front Headlight Panel Assembly



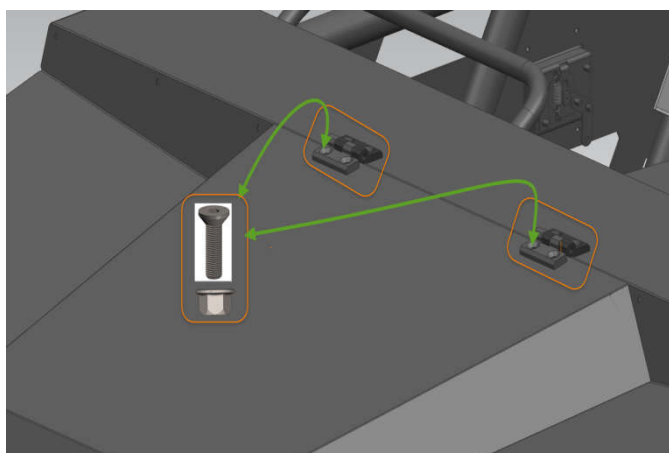
Parts List:

Front Headlight Panel	1	pics
M6*12 Inside Hexagon Pan Head Bolt	10	pics
M8 Flange Nuts	4	pics



After Panel assembly, put rubber strip.

7. Front Hood Middle Panel Assembly



Parts List:

Front Hood Middle Panel	1	pics
Panel Hinge	2	pics
M8*25	4	pics
(Countersunk head with hexagon socket Bolts)		
M8 Flange Nuts	4	pics

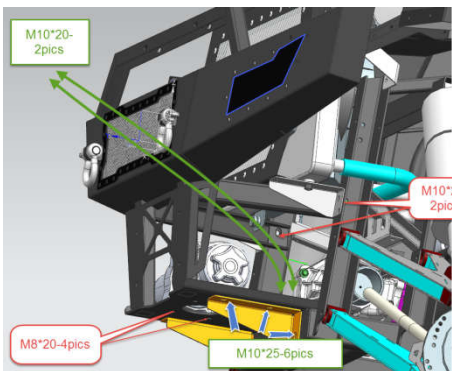
8. Front Fender L&R Assembly



Parts List:

Front Fender Left	1	pics
Front Fender Right	1	pics
M6*12 Hexagon Flange Bolt	10	pics
M6 Flange Nuts	10	pics

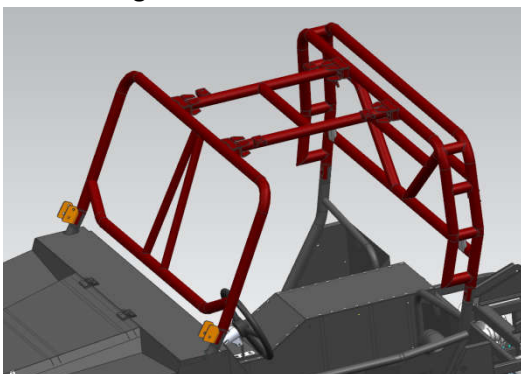
9. Front Bumper and Winch Assembly



Parts List:

Front Bumper	1	pics
Electric Winch	1	pics
M10*25 Hexagon Flange Bolt	2	pics
M8*20 Hexagon Flange Bolt	4	pics
M10*25 Hexagon Flange Bolt	6	pics
M10 Flange Nuts	8	pics

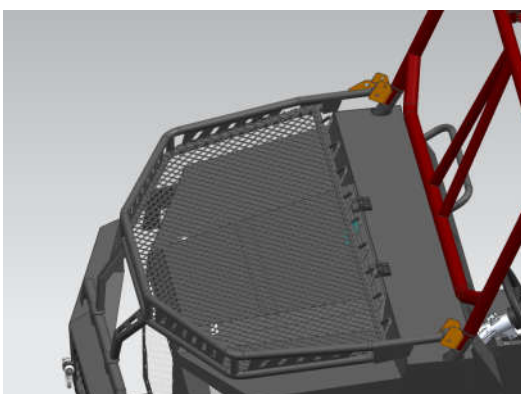
10. Roll cage (Front+Middle+Rear) Assembly



Parts List:

Roll cage	1	set
Front Rack Bracket	2	pics
M10*1.5*20 Hexagon Flange Bolt	8	pics
M10*55 Hexagon Flange Bolt	4	pics (Front)
M10*50 Hexagon Flange Bolt	4	pics
M10 Flange Nuts	8	pics

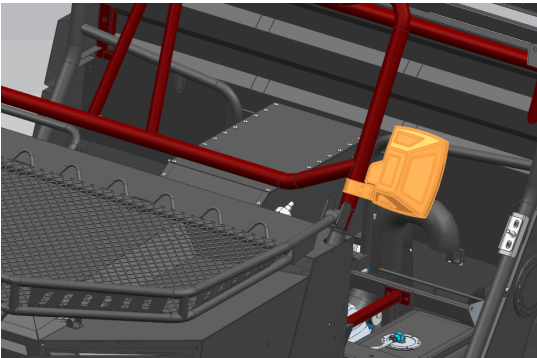
11. Front Rack Assembly



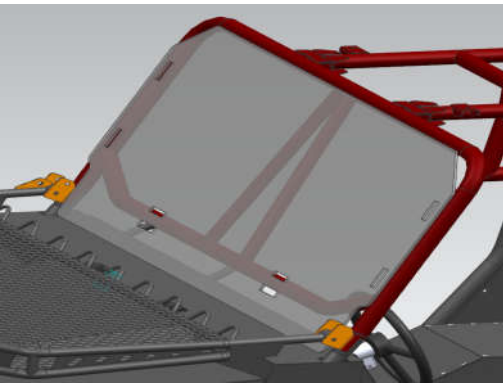
Parts List:

Front Rack	1	pic
M10*70 Hexagon Flange Bolt	2	pics
M8*50 Hexagon Flange Bolt	2	pics
M10 Flange Nuts	2	pics
M8 Flange Nuts	2	pics

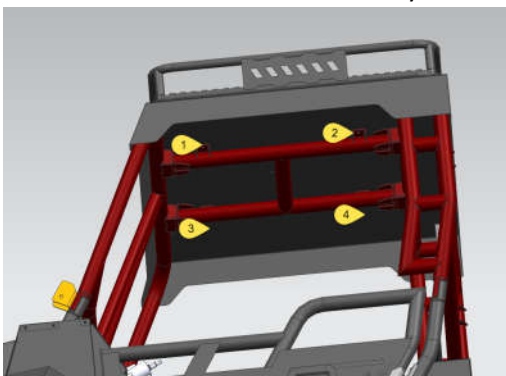
12. Front Windshield And Rear Mirror Assembly



Parts List:		
Windshield	1	pic
Clamp	6	pics
Rear Mirror	1	pair



13. Roof and Rood rack Assembly



Parts List:		
Roof	1	Pic
Roof Rack	1	pic
Roof clamp	5	pics
M8*20 Hexagon Flange Bolt	4	pics
M8 Flange Nuts	4	pics
M6*12 Inside Hexagon Pan Head Bolt	5	pics
M6 Flange Nuts	5	pics

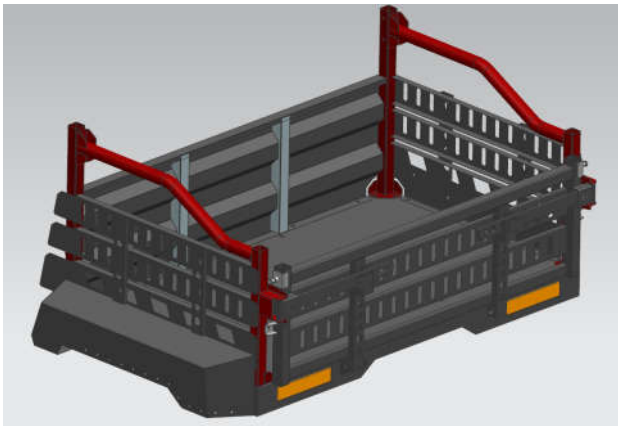
Connect the roof light wiring harness after the roof rack is assembly.

14. Muffler Assembly



Parts List:		
Muffler	1	Pic
Muffler Rubber	2	pic
Muffler clamp	1	pics
M10*16 Hexagon Flange Bolt	4	pics

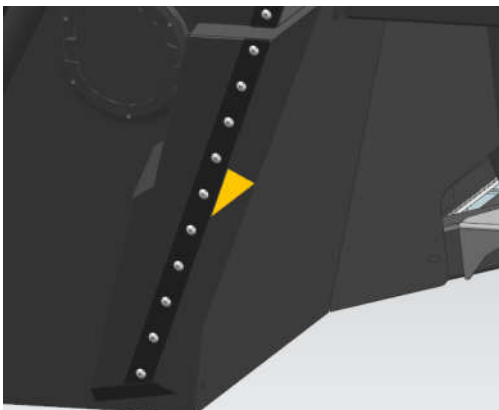
15. Rear Cargo Assembly



Parts List:		
Cargo Base	1	Pic
Cargo Front	1	pic
Cargo Left	1	pic
Cargo Right	1	pic
Cargo Tailgate	1	pic
Cargo Mounting Frame Front/Left	1	pic
Cargo Mounting Frame Front/Right	1	pic
Cargo Mounting Frame Rear/Left	1	pic
Cargo Mounting Frame Rear/Right	1	pics

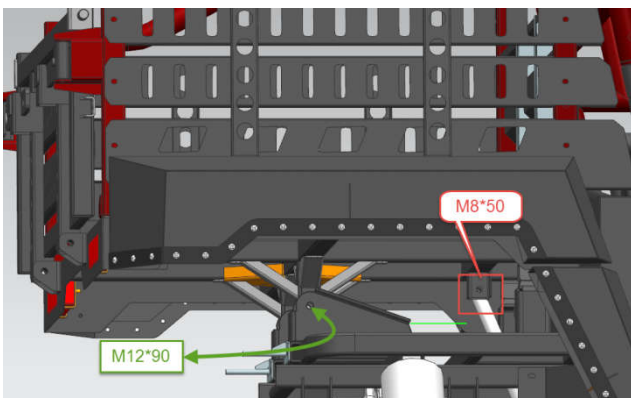
Rear Door latch	2	pics
Quick Release Pin	2	pics
Rear Fender Top/Left	1	pics
Rear Fender Top/right	1	pics
M10*20Hexagon Flange Bolt	8	pics
M8*20Hexagon Flange Bolt	35	pics
M8*90Hexagon Flange Bolt	4	pics
M6*16Hexagon Flange Bolt	14	pics
M6 Flange Nuts	18	pics

16.Rear fender Bottom Assembly



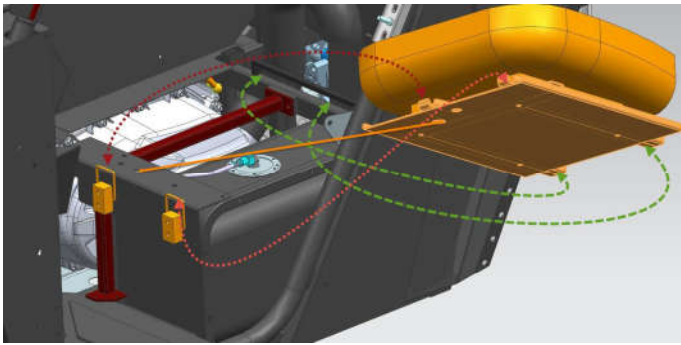
Parts List:		
Rear fender Bottom/Left	1	Pic
Rear fender Bottom/Right	1	Pic
M6*16 Hexagon Flange Bolt	12	pics
M6 Flange Nuts	12	pics

16. Rear Cargo Mounting on Frame

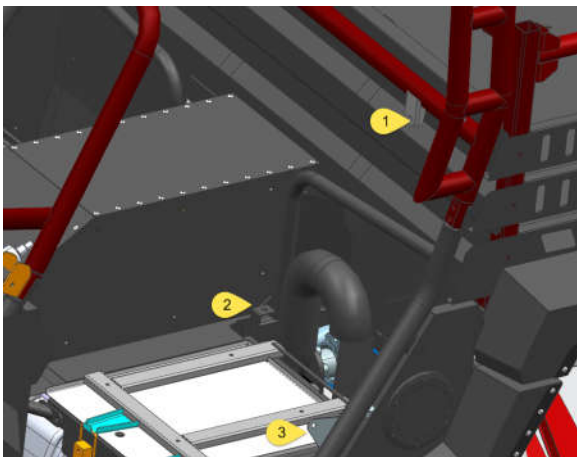


Parts List:		
M12*90Hexagon Flange Bolt	2	pics
M12 Flange Nuts	2	pics
M8*50Hexagon Flange Bolt	2	pics
M8 Flange Nuts	2	pics

17. Seat And Safety Belt Assembly



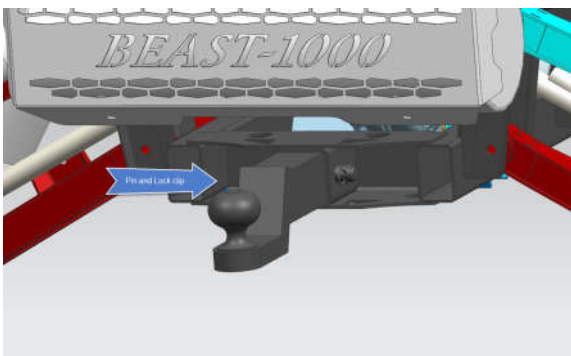
To install a seat, insert the projections on the rear of seat into the holders and push down on the seat at the front. Make sure the seats are securely latched.



Parts List:

Seat Left	1	pics
Seat Right	1	pics
Safety Belt	2	sets
M10 Carriage Bolt	2	pics
M10 Flange Nuts	4	pics
M10*16 Hexagon Flange Bolt	2	pics
M10*40 Hexagon Flange Bolt	2	pics

18. Rear Hitch Bar Assembly



Parts List:

Hitch Bar	1	pics
Pin	1	pics
Lock Clip	1	pics

19. Nerf Bar Assembly



Parts List:

Nerf Bar Left	1	pics
Nerf Bar Right	1	pics
M8*25 Hexagon Flange Bolt	4	pics
M8 Flange Nuts	4	pics

20. Your Vehicle Is Now Assembled

Now You Will Need To Connect The Battery negative post. You Are Now Done And Ready To Start Up Your Vehicle. You Are Ready To Get Your New Vehicle Started. Enjoy Your Vehicle.