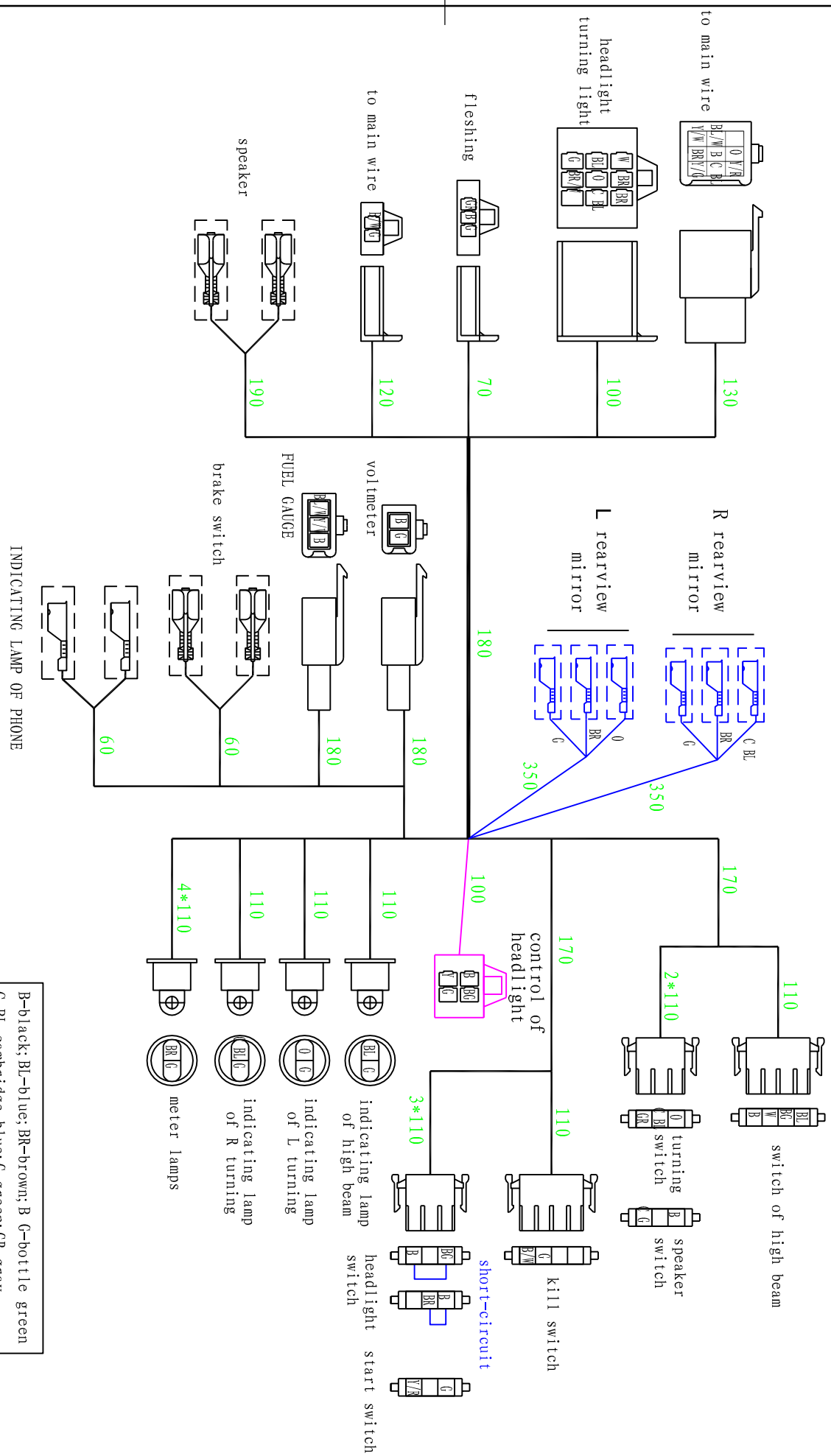


ZN150T-1 DOT SUB WIRE DRAWING



B-black; BL-blue; BR-brown; B G-bottle green
 C BL-cambridge blue; G-green; GR-gray
 O-orange; P-pink; W-white; PU-purple