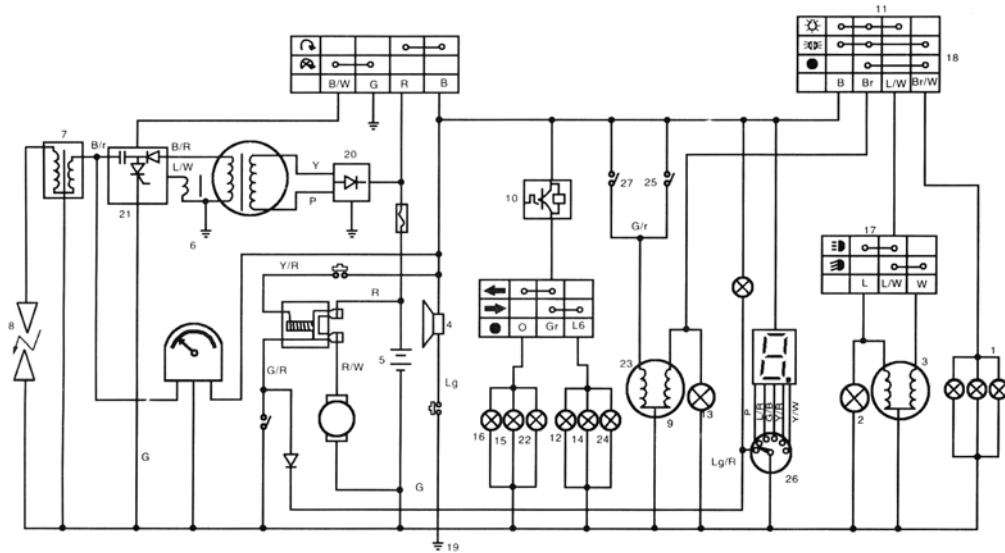


ELECTRICAL DIAGRAM



- | | | |
|------------------------|---------------------------|--------------------------|
| 1. Position Light | 11. Illuminator switch | 20. Regulator reelifier |
| 2. High beam indicator | 12. Front right turnlight | 21. CDI |
| 3. Headlight | 13. Meter light | 22. Rr leftturnlight |
| 4. Horn | 14. Right turn indicator | 23. Rr leftturnlight |
| 5. Battery | 15. Left turn indicator | 23. Brake light |
| 6. Grenerator | 16. Front left turnlight | 24. Rr right turnlight |
| 7. Lgnition coil | 17. High and low beam | 25. Rear braking switch |
| 8. Spark plug | 18. Illuminator switch | 26. Gear position switch |
| 9. Taillight | 19. Earthing piece | 27. Front braking switch |
| 10. Flasher | | |